



Alfa Laval Gunclean Toftejorg i40 D

Dual-nozzle tank cleaning machine

Alfa Laval's dual-nozzle Gunclean Toftejorg i40 D is a second-generation high-impact tank cleaning machine.

Developed to meet the toughest tank cleaning requirements with optimized design and wear resistant materials, the Gunclean Toftejorg i40 D is a simple and reliable choice for cost effective operation.

Application

The Gunclean Toftejorg i40 D is designed for use in fixed installations aboard chemical and product carriers, as well as in offshore applications. Its reliable operation and wear-resistant design make it suitable for use in all types of tank cleaning applications.

Energy efficient design

With Alfa Laval's optimized design of the cleaner head and nozzle, the i40D machine outperforms any other dual nozzle machine on the market.

The design ensures high impact cleaning with the least possible water consumption, leading to savings in both time and costs.

Reduced maintenance

Due to high-tech, wear-resistant ceramics and stainless ball bearings in the cleaner head inside the tank, the need for lifting out the machines for maintenance is practically eliminated.

Optimized turbine

The turbine of the Gunclean Toftejorg i40 D is specially designed for better power transmission, which contributes to increased machine lifetime.

Isolated gearbox

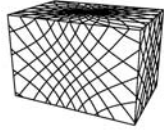
The oil-free gearbox is located above deck and can be removed without exposing the tank to the atmosphere. This facilitates service.

Robust construction

The gearbox has a stronger construction than previous tank cleaning machines and involves fewer wear parts.



Cleaning patterns



Coarse pattern



Dense pattern

Operation

A flow of cleaning media or product is used to drive a turbine connected to the Gunclean Toftejorg i40 D gear unit. Rotation speed can be adjusted during operation, thus making it possible to optimize the cleaning cycle.

In the first cycle, the nozzles lay out a coarse pattern on the tank surface. The following cycles make the pattern gradually more dense until a full pattern is reached after 4 cycles.

Regulations

The Gunclean Toftejorg i40 D is fully compliant with IMO regulations and the requirements of the classification societies.

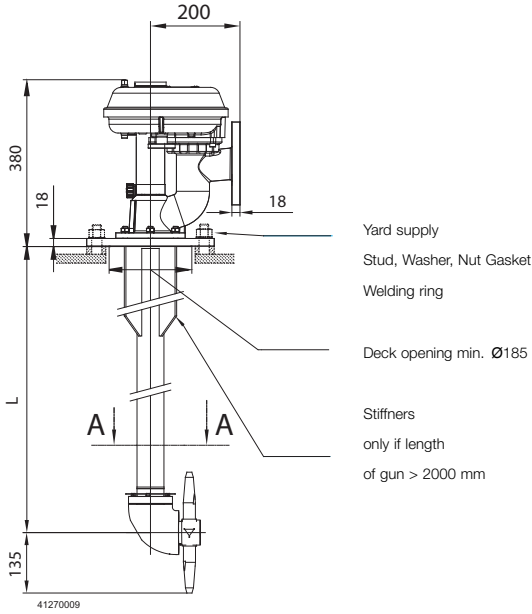
Specifications

Materials, main parts	AISI 316 as standard
Sealings	Oil, product and chemical resistant
Lubricant	Grease
Working pressure	4 –12 bar
Max. working temperature	0– 95°C (32–203°F)
Capacity	7 – 80 m3/h
Effective design jet length	Up to 30 m
Sealings	
- Inert gas	0– 0.7 bar (0 –10 psi)
- Cleaning fluid	0–12 bar (0–174 psi)

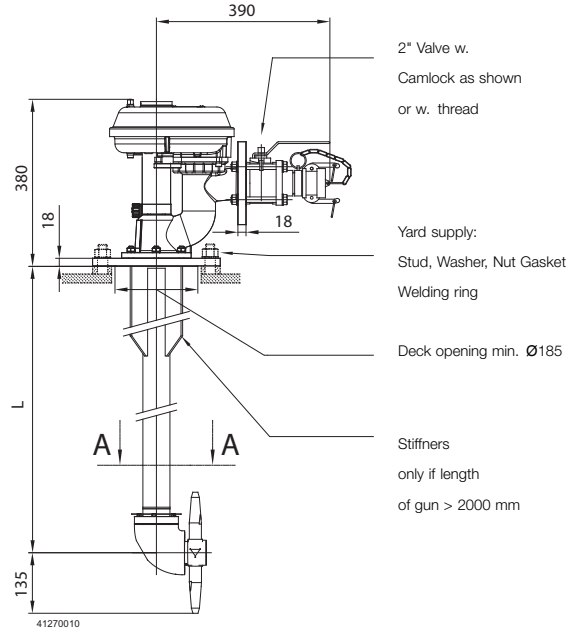
Options:

- Deck and inlet flanges with customized dimensions
- 2" Ball valve with strainer and CAM lock coupling (Male) with dust cap
- Sensor connection for cargo control system
- Multi-Level installation
- Split pipe
- Hysteresis coupling or traditional mechanical shaft drive

Gunclean Toftejorg i40 D with inlet flange

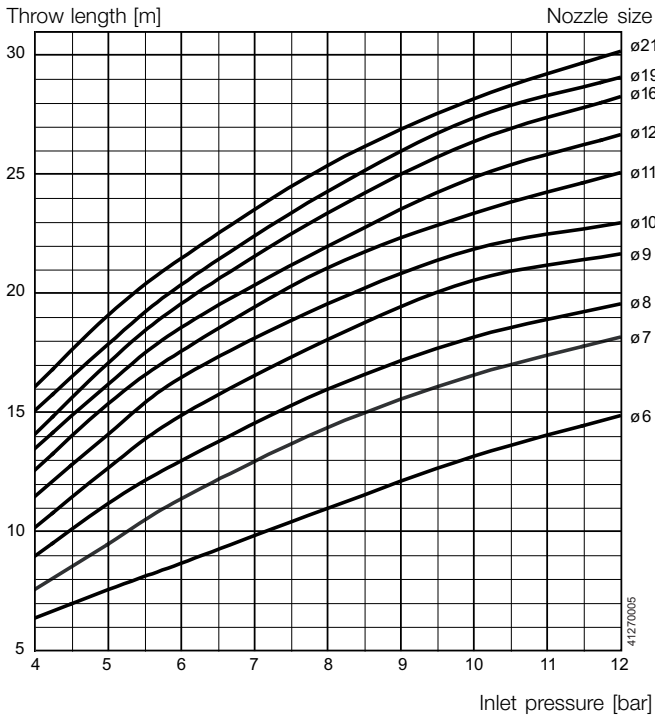


Gunclean Toftejorg i40 D with inlet ball valve 200 185 $\varnothing 11 \times 4$



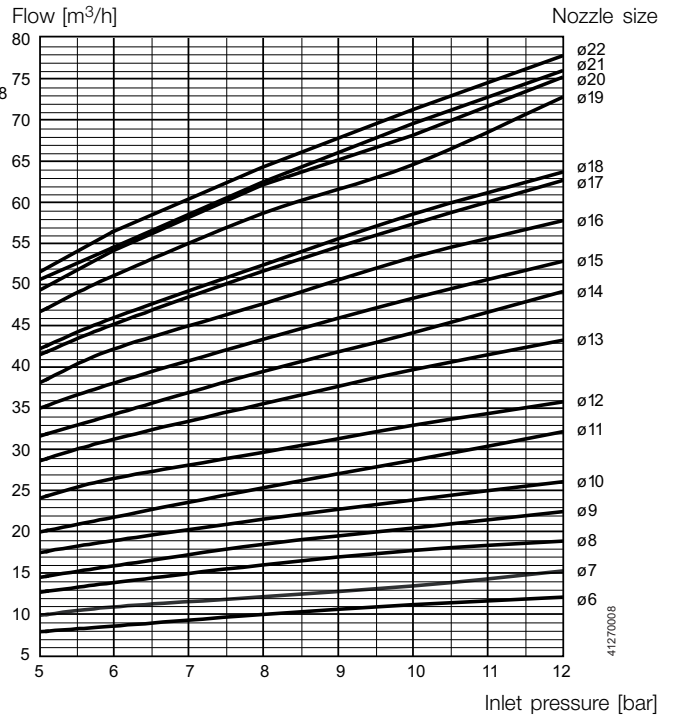
Performance diagram Design Throw Length

Alfa Laval Type: Gunclean Toftejorg i40D

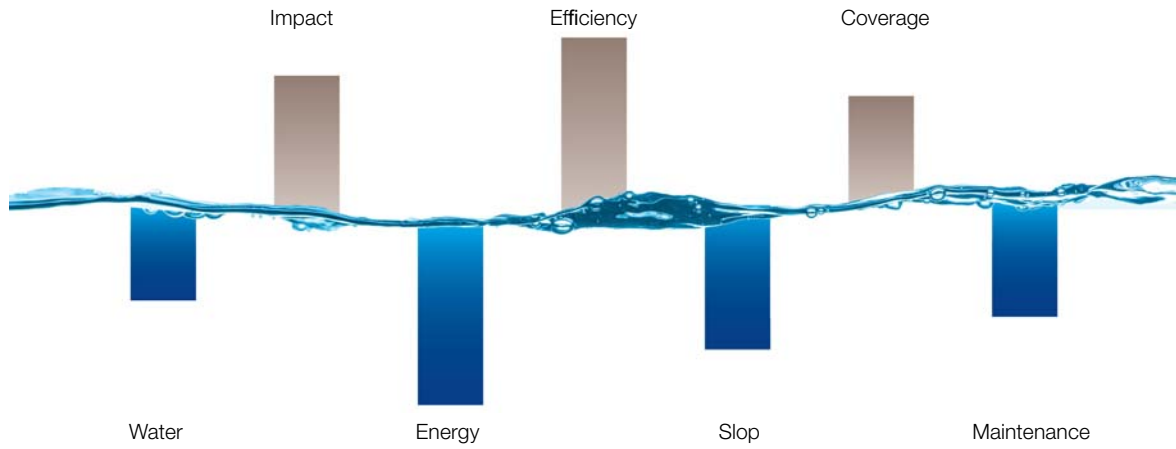


Performance diagram Flow Rate

Alfa Laval Type: Gunclean Toftejorg i40D



Performance is more than surface deep



Tank cleaning for certainty and savings

For decades, Alfa Laval Gunclean Toftejorg tank cleaning solutions have been trusted for perfect results. But we've continued to optimize – because a spotless tank isn't all you're after.

Today's solutions have a higher impact at a longer range, which reduces your water consumption, energy use and slop for onshore disposal. Thanks to stainless steel ball bearings, you also perform almost no nozzle maintenance, which means fewer spare parts and no winching of the cleaning head out of a confined space..

Discover full optimization at www.alfalaval.com/marinetankcleaning



Alfa Laval
Gunclean Toftejorg
i40 S



Alfa Laval
Gunclean Toftejorg
i40 D

Alfa Laval reserves the right to change specifications without prior notification.

How to contact Alfa Laval

Contact details for all countries are continually updated on our website. Please visit www.alfalaval.com to access the information direct.